

# Moving Toward Zero Energy Homes Workshop

*PNM*  
*Energy Efficiency Program*  
*Solar Energy Program*

June 20<sup>th</sup>, 2008

A personal commitment to New Mexico 

## Agenda

- ***Overview of Programs***
- ***Advanced Evaporative Cooling***
- ***PNM Power Saver Load Management***
- ***\$500 Energy Star<sup>®</sup> Home Rebate***
- ***Solar Power Program***
- ***Q & A***

A personal commitment to New Mexico 

## Residential Programs 2007-08

### *Electric Customers*

- *Home Lighting Discounts*
- *Refrigerator-Recycling Program*
- *Energy Saver Kit*
- *Advanced Evaporative Cooling Rebate*
- *PNM Power Saver*

### *Gas Customers*

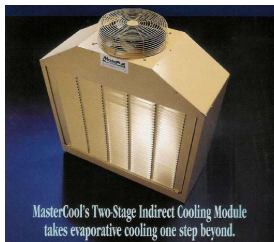
- *Insulation Rebate*
- *Weatherization Assistance Program*

## Business Programs

- **\$500 ENERGY STAR® Homes Rebate**
- *Advanced Evaporative Cooling Rebate*
- *PNM Power Saver (small customers)*
- *PNM Peak Saver (large customers)*
- *Business Lighting Rebate*

## Advanced Evaporative Cooling Rebates for Homebuilders!

- Rebate for Indirect Cooling Module (ICM)
  - \$300 Rebate for ICM + \$100 with new 12" Direct section
- \$400 Rebate Coolerado (100% Indirect)
- \$400 Rebate OASys (indirect/direct unit)



A personal commitment to New Mexico 

## ENERGY STAR New Home Program

- **Advanced Evaporative**
  - *EPA Rating of SEER 22*



A personal commitment to New Mexico 

## **PNM Power Saver Program**

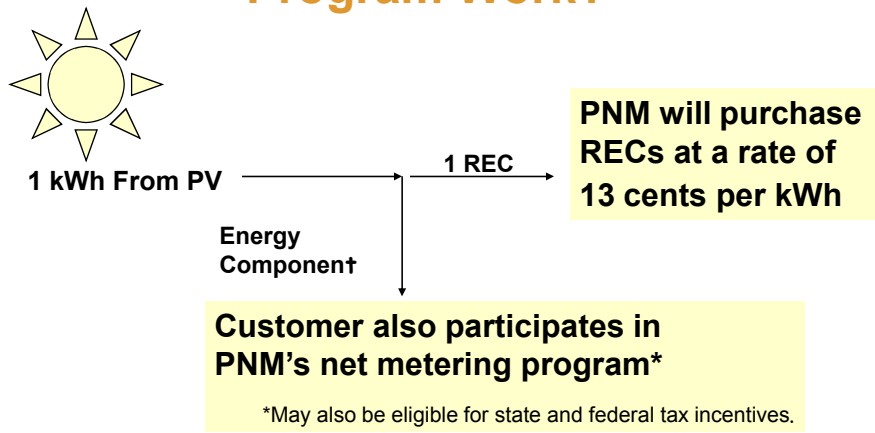
- *No Cost to Sign Up*
- *Option for home owners with central AC*
- *Allows PNM to put AC into conservation mode*
- *Operates a maximum of 100 hours per year*
- *Customer receives incentives annually and at sign-up\**

## **ENERGY STAR Homebuilder Benefits**

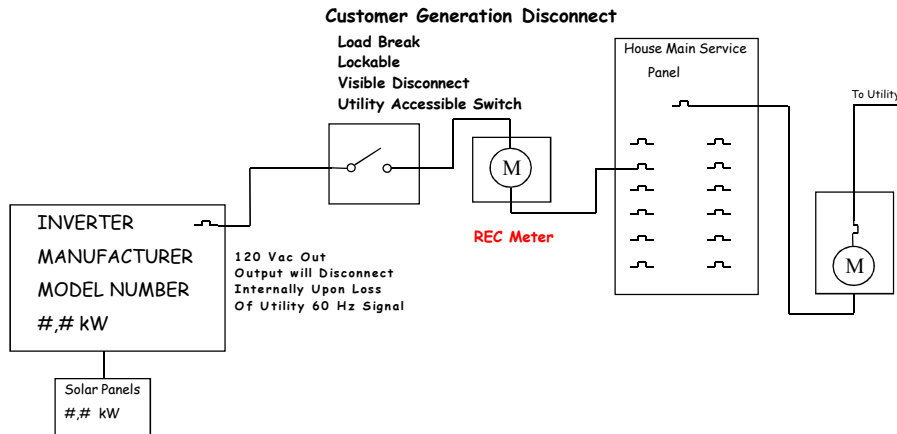
- *\$500 PNM Rebate – no limit*
- *Market Differentiation*
- *Enhanced Customer Satisfaction*
- *Increased Revenue*
- *EPA Support*



# How Will the Solar REC Purchase Program Work?



## SAMPLE ONE-LINE DIAGRAM: GRID-TIED SYSTEM



A personal commitment to New Mexico 

## Solar REC Purchase Program Electric Bill

### • The REC Purchase Program

- Will require separate billing
  - Separate electric and gas bills
- Will show up as a separate section on your monthly electric bill
- Will show the PV system generation, REC purchase price/kWh, total REC payment that month
- REC purchases will be applied as a credit to the current month's electric bill
- Credit will carry forward to following month if less than \$20
- No kWh charge during months of excess generation due to net metering

A personal commitment to New Mexico 

## **REC Purchase Program Requirements**

- **An executed interconnection agreement with PNM**
- **A REC purchase contract with PNM**
- **An additional meter to measure total energy generated by PV system**
- **An additional application fee of \$150 for residential customers and \$275 for non-residential customers**

## **Contact Us**

**Frank Andazola**  
**PNM Solar Energy Program**

[Frank.Andazola@pnm.com](mailto:Frank.Andazola@pnm.com)

505-241-2589

**Erick Seelinger**  
**PNM Energy Efficiency Program**

[Erick.Seelinger@pnm.com](mailto:Erick.Seelinger@pnm.com)

505-241-2659

**PNM web site:** PNM.com/rebates

**Toll Free Hotline:** 1-866-Rebates